



FEATURES AND BENEFITS

- Brushes available in Carbon Steel, Stainless and Prostran, Pencil Brushes
- Interchangeable Cups and Discs Available in Urethane or Neoprene
- Bidirectional Brush Assemblies
- Lifter Blocks under brushes allow for quick change between standard and heavy wall pipes.
- Add a steel or aluminum gauging plate for sizing pipeline or checking for dents and obstructions
- Ideal for Nitrogen Purging
- Transmitter optional
- Sizes: 12" - 48"

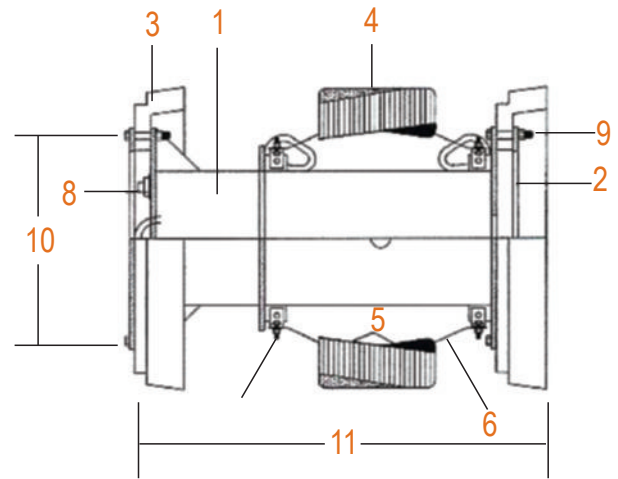
Inline Services Inc.
27731 Commercial Park Rd
Tomball, TX 77375

phone: 281.401.8142
toll free: 888.973.0079
fax: 281.401.8147

www.inlineservices.com
sales@inlineservices.com

DESCRIPTION

1. Steel Body
2. End Ring
3. Cup
4. Brush
5. Brush Bolt and Lockwasher
6. Brush Spring
7. Rocker Arm Locknut and Washer
8. By Pass Plug
9. Cup / Disc Bolts (Per Circle)
10. Bolt Hole Circle
11. Minimum Overall Length
12. Approximate Weight
13. Approximate Volume



SPECIFICATIONS

SIZE	PART NUMBER WITH URETHANE CUP	QUANTITY										BCH	OVAL LENGTH	APPROX. WT.	VOL. CU./FT.
		1	2	3	4	5	6	7	8	9	10				
12	0070-0000-120D	1	2	2	6	12	6	12	6	6-1/2	19	60	1.58		
14	0070-0000-140D	1	2	2	6	12	6	12	6	6-1/2	20	65	2.26		
16	0070-0000-160D	1	2	2	8	16	8	16	2	8-1/2	22	137	3.26		
18	0070-0000-180D	1	2	2	5	10	5	10	6	8	12-3/4	141	4.31		
20	0070-0000-200D	1	2	2	6	12	6	12	6	12	13-1/2	196	6.08		
22	0070-0000-220D	1	2	2	7	14	7	14	6	12	13-1/2	245	8.33		
24	0070-0000-240D	1	2	2	7	14	7	14	14	14	16-1/2	262	10.50		
26	0070-0000-260D	1	2	2	8	16	8	16	14	14	16-1/2	300	13.69		
28	0070-0000-280D	1	2	2	8	16	8	16	14	14	16-1/2	323	15.88		
30	0070-0000-300D	1	2	2	9	18	9	18	16	16	19-1/2	443	19.66		
32	0070-0000-320D	1	2	2	9	18	9	18	16	24	19-1/2	476	24.59		
34	0070-0000-340D	1	2	2	11	22	11	22	12	18	23	590	33.45		
36	0070-0000-360D	1	2	2	11	22	11	22	12	22	25	697	37.50		
40	0070-0000-400D	1	2	2	12	24	12	24	12	24	26	848	51.62		
42	0070-0000-420D	1	2	2	12	24	12	24	12	24	30	1095	56.91		
48	0070-0000-480D	1	2	2	16	32	16	32	12	24	30	1370	80.00		

Inline Services Inc.
 27731 Commercial Park Rd
 Tomball, TX 77375

phone: 281.401.8142
 toll free: 888.973.0079
 fax: 281.401.8147

www.inlineservices.com
 sales@inlineservices.com

INTELLIGENT PIPELINE CLEANING
 corrosion control • dewatering • pit cleaning