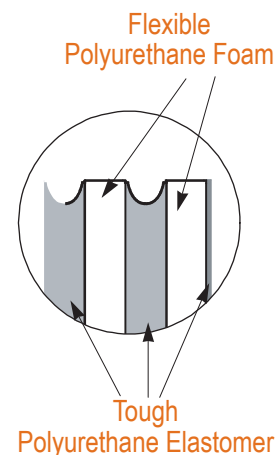


THE FOAM DISC PIG™ is one of the most efficient liquids removal pigs available. The polyurethane foam body is molded with circular grooves across its body to provide a series of wiping edges. These grooves are coated with a polyurethane elastomer, which improve the wiping action and increase its wear resistance. Because of its unique multiple disc design, by-pass is minimal.



APPLICATIONS

- Removes Condensate from Wet Gas Systems
- Paraffin Removal in Crude Oil Pipelines
- Water Removal in Product Pipelines
- Grease Removal in Force Main Systems
- De-watering after Hydrostatic Testing
- Nitrogen Purge
- Product Recovery from Process Lines in the Food, Cosmetic, Paint, Lube Oil, and related industries

FEATURES AND BENEFITS

- Available in Medium and High Density Foam
- Bi-Directional
- Single Piece Construction
- Available with Pull Ropes, Cables, Nylon Straps and Transmitter Cavities
- Can be Configured for Multi-Dimensional Pipe

Inline Services Inc.
27731 Commercial Park Rd
Tomball, TX 77375

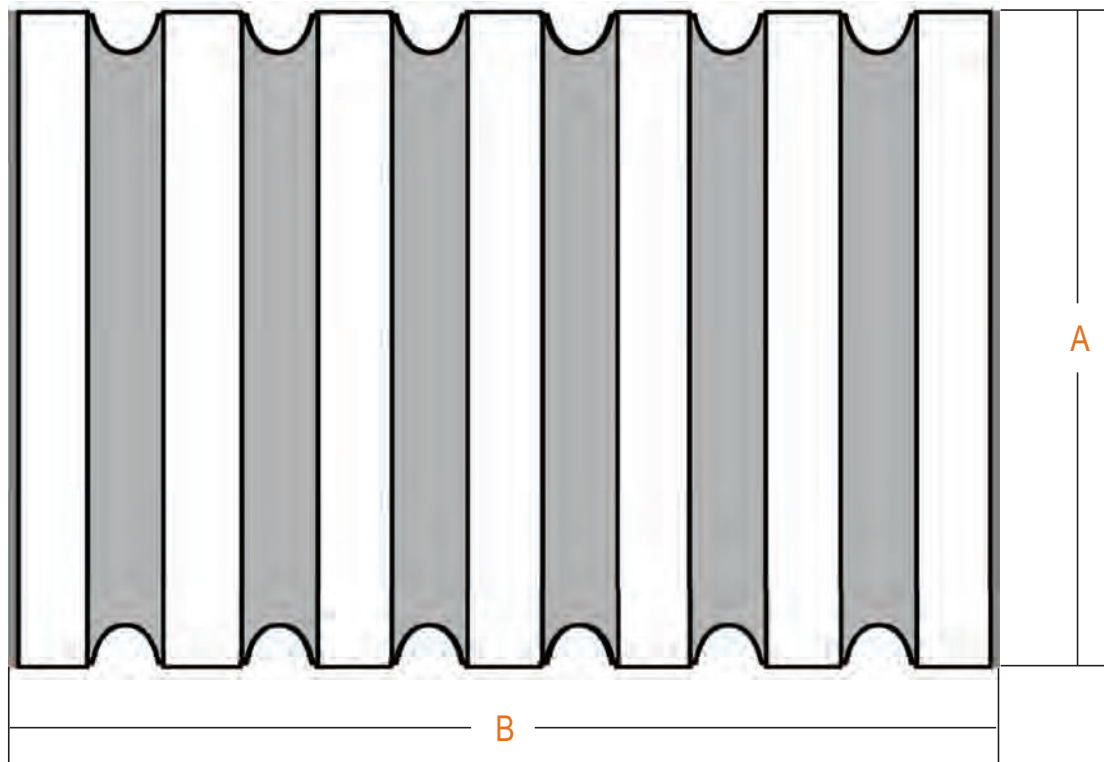
phone: 281.401.8142
toll free: 888.973.0079
fax: 281.401.8147

www.inlineservices.com
sales@inlineservices.com

INTELLIGENT PIPELINE CLEANING
corrosion control • dewatering • pit cleaning



TECHNICAL DATA



INTELLIGENT PIPELINE CLEANING
 corrosion control • dewatering • pit cleaning

DIMENSIONAL DATA

SIZE IN	PART NO. MED. DENSITY	PART.NO. HIGH DENSITY	A IN	B IN	APPROX. WEIGHT lbs
2	85400200	88400200	2.30	3.50	0.200
3	85400300	88400300	3.40	5.00	0.536
4	85400400	88400400	4.50	6.85	1.250
6	85400600	88400600	6.50	9.60	3.288
8	85400800	88400800	8.50	11.25	6.070
10	85401000	88401000	10.50	14.75	12.955
12	85401200	88401200	12.68	20.50	18.600
14	85401400	88401400	13.80	20.00	20.515
16	85401600	88401600	15.75	22.75	35.260
18	85401800	88401800	17.75	28.50	50.00
20	85402000	88402000	20.00	30.00	75.00
24	85402400	88402400	24.00	34.50	100.00
30	85403000	88403000	29.75	42.00	200.00

Inline Services Inc.
 27731 Commercial Park Rd
 Tomball, TX 77375

phone: 281.401.8142
 toll free: 888.973.0079
 fax: 281.401.8147

www.inlineservices.com
 sales@inlineservices.com