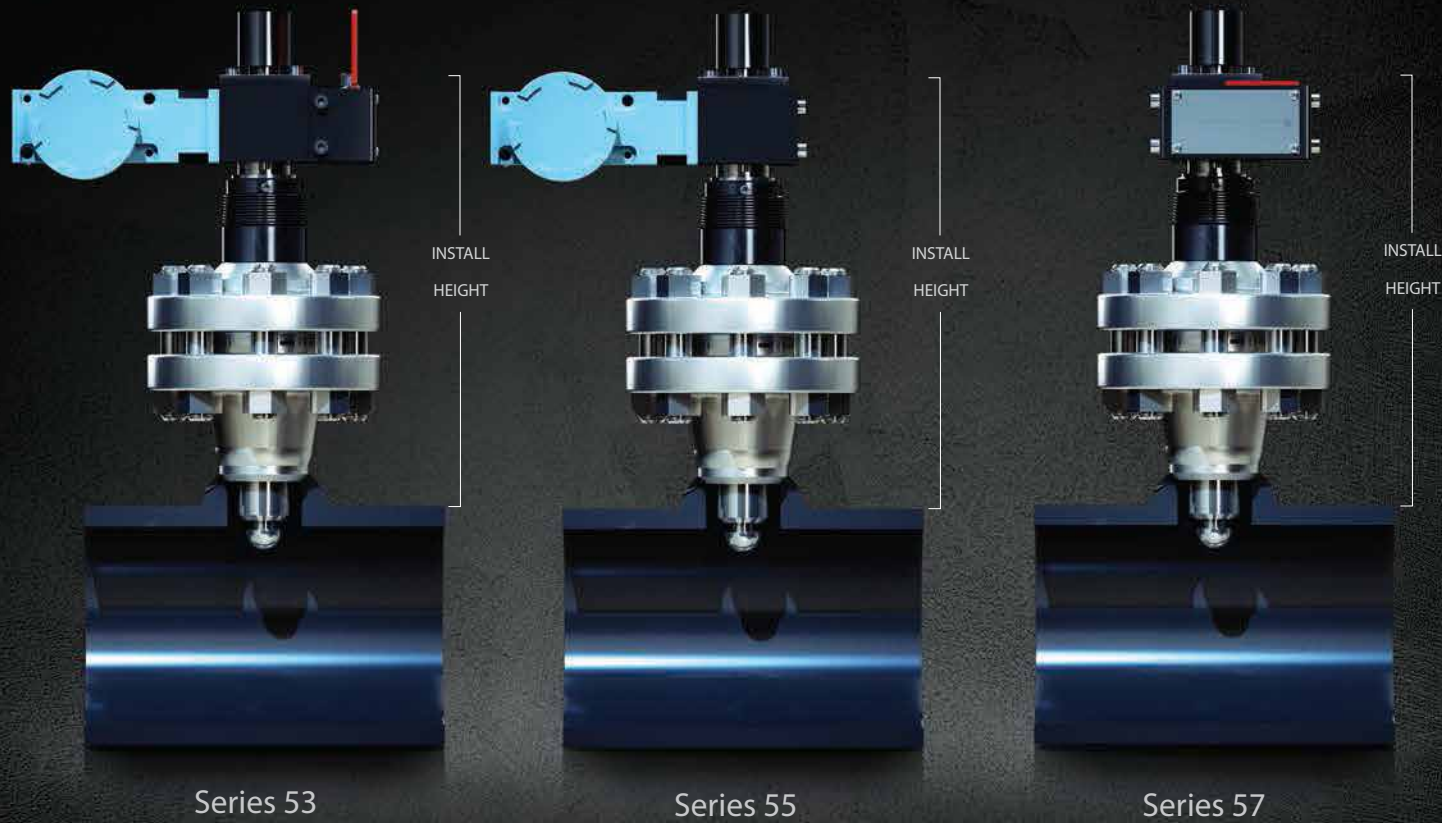


Install Height Adjustment



IMPORTANT: Detection of pig's passage is dependent on proper INSTALL HEIGHT. Incorrect INSTALL HEIGHT could void the warranty.

TECHNICAL DATA
(SERIES 53 & 55 ONLY)

LSX Limit Switch - weather sealed, explosion proof enclosures meet NEMA standards: 1, 3, 4, 6, 9 and 13. UL listed and CSA certified: Class I, Div.1, Groups B,C and D. Class II, Div.1, Groups E, F and G.

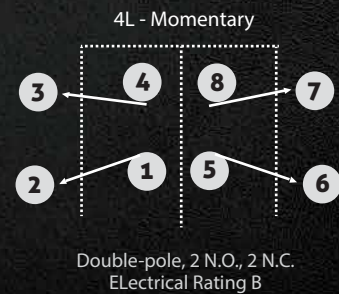
Electrical Ratings

10 amps continuous carry. Circuits on any pole must be the same polarity.

AC Volts		Pilot Duty: 600VAC, 720VA		
Electrical Rating	Circuitry	VAC	Amps at 0.35 Power Factor	Make Break
B	Double Pole	120	30	3
	Double Throw	240	15	1.5
		480	7.5	0.75
		600	6	0.60

DC Volts		Pilot Duty: 240VAC, 30 watts		
Electrical Rating	Circuitry	VDC	Make and Break Amps Inductive	Resistive
B	Double Pole	120	0.25	0.80
	Double Throw	240	0.15	0.40

Electrical Diagram



AVAILABLE AT OUR
U.S. DISTRIBUTOR



pigPRO™

INSTALLATION INSTRUCTIONS

Series 53, 55, 57 Indicators
Flange Mount



pigPRO™ is a trademark of Apache Pipeline Products and protected by U.S. Patent 5263220

Please Contact Apache for technical assistance
Phone: (780) 416-4850 Fax: (780) 416-4829 Email: sales@apachepipe.com

INLINE SERVICES, INC. | 27731 COMMERCIAL PARK DR, TOMBALL, TX 77375 | PH: 281-401-8142 | FAX: 281-401-8147
SALES@INLINESERVICES.COM | WWW.INLINESERVICES.COM