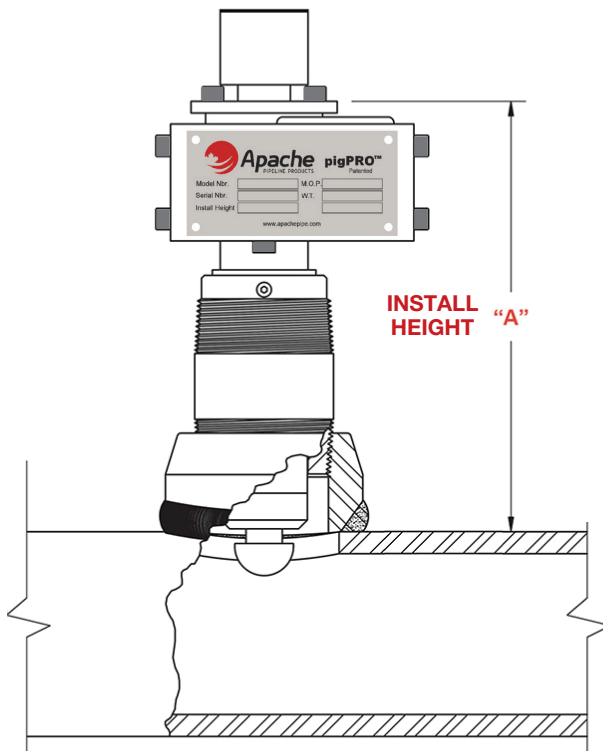


NEW APACHE pigPRO™ INDICATOR INSTALL GUIDE

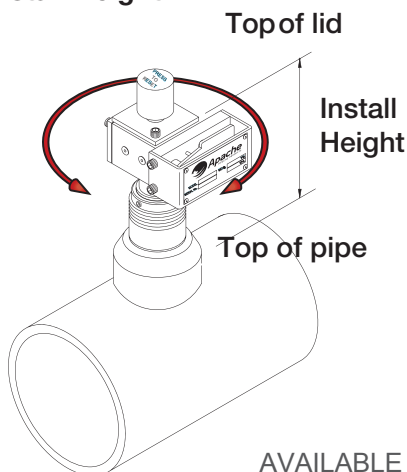
Models 53, 55, 57 Base Model Install Height



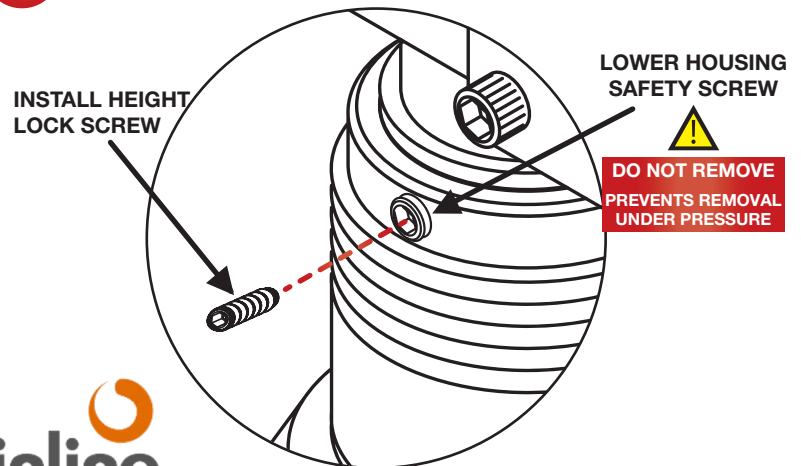
WALL THICKNESS	"A"
0.125" (3.18mm)	7 11/16" (195mm)
0.141" (3.58mm)	7 11/16" (195mm)
0.156" (3.96mm)	7 11/16" (195mm)
0.172" (4.37mm)	7 5/8" (194mm)
0.188" (4.78mm)	7 5/8" (194mm)
0.219" (5.56mm)	7 5/8" (194mm)
0.250" (6.35mm)	7 9/16" (192mm)
0.281" (7.14mm)	7 9/16" (192mm)
0.300" (7.62mm)	7 1/2" (191mm)
0.312" (7.92mm)	7 1/2" (191mm)
0.330" (8.38mm)	7 1/2" (191mm)
0.344" (8.74mm)	7 7/16" (189mm)
0.375" (9.52mm)	7 7/16" (189mm)
0.406" (10.31mm)	7 7/16" (189mm)
0.438" (11.13mm)	7 3/8" (187mm)
0.500" (12.70mm)	7 5/16" (185mm)
0.531" (13.49mm)	7 1/4" (184mm)
0.600" (15.24mm)	7 1/4" (184mm)
0.625" (15.88mm)	7 3/16" (183mm)

*Consult Factory if
Wall Thickness Not Shown*

1 Adjust Install Height



2 Using Supplied Allen Key, Tighten *INSTALL HEIGHT LOCK SCREW* to Secure Lower Housing



AVAILABLE AT OUR
U.S. DISTRIBUTOR

