

ID5000A™

NON-INTRUSIVE ULTRASONIC SIGNALLER

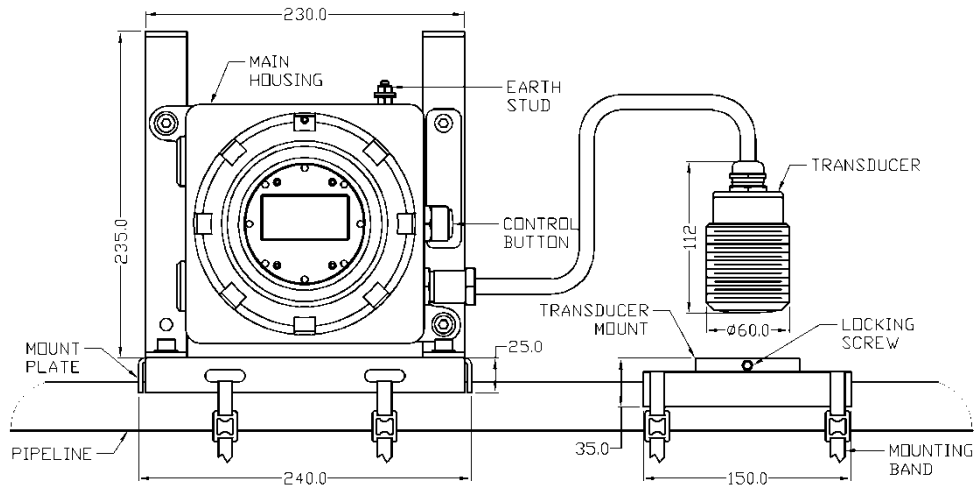
The ID5000A (Active) pig signaller is a fully ATEX certified, ultrasonic, non-intrusive, pig signaller which detects, signals, and logs the passage of pigs at critical points along a fluid filled pipeline both on land and offshore. The ID5000A can also be used to confirm the location of pigs in the receiver, as an interface detector and to monitor wax build-up.

Key Benefits:

- Use of the ID5000A can result in both time and cost savings during pigging operations
- Removes any uncertainty over confirmation of pig passage and location
- Quick and easy installation using ratchet straps or steel banding
- Minimal set up required ensuring time is not lost setting up multiple parameters
- Location function allows for confirmation that pig has passed isolation valves
- Unit can be installed close to pig receiver door, allowing for easy pig recovery
- Suitable for all pig types – no transmitters or magnets are required to confirm passage or location in the receiver
- Main housing can be mounted remotely for use on buried pipelines or where access is limited

The ID5000A uses the pulse-echo method to detect the time of flight of ultrasonic pulses through the pipe. An ultrasonic pulse is sent through the pipe wall and provided that an acoustically transparent column of fluid is within the pipe (single phase, no gas bubbles, no large solid particles), the unit is able to see a reflection of the pulse from the other side of the pipe. When a pig passes the fluid path is disturbed interrupting the reflection of the pulses transmitted. This interruption is processed and the pig passage is signalled.

Events are signalled as they occur via a graphical display and high brightness LEDs positioned around the perimeter of the display. The unit logs the time and date of up to 100 events. Logged events can be viewed locally on the display or transmitted remotely over several optional interfaces. The user can turn the unit ON and OFF as well as modify several settings using the single control button and intuitive menu system.



GENERAL

Battery Type 15V Alkaline Non-Rechargeable Battery Pack

Battery life LISTENING at +20°C (from 15V Alkaline Non-Rechargeable Pack) 120 Days

Rechargeable Battery Type 12V NiMH Rechargeable Battery Pack

Battery life LISTENING at +20°C (from 12V NiMH Rechargeable Battery Pack) 12 Days

External Supply 21.6V DC to 26.4V DC

Housing Ambient Temperature Range (External Power) -20°C to +85°C (-4°F to +185°F)

Housing Ambient Temperature Range (Alkaline Batteries) -20°C to +54°C (-4°F to +129°F)

Housing Ambient Temperature Range (NiMH Rechargeable Batteries)..... -20°C to +65°C (-4°F to +149°F)

Maximum Pipeline Surface Temperature..... +85°C

Ingress Protection..... IP66

ATEX Code..... II 2 G Ex d mb IIC T5...T6

EC Type Examination Certificate Number TRL08ATEX21161X

Transducer Material 316L Stainless Steel

Weight in Stainless Steel (316L Stainless Steel) 14kg (30.9lbs)

Weight in Aluminium (Aluminium Alloy LM25)..... 10.5kg (23.1lbs)

Cable Length 10m (32ft)

OUTPUTS:

SPDT Relay Outputs (Volt Free Contacts)..... 2A @ 30VDC / 0.5A @ 125VAC

Current Loop Output 5.0mA ±1.0mA (LISTENING) / 19.0mA ±1.0mA (DETECTION)

Proudly Distributed in the USA by:



Inline Services, LLC.
 27731 Commercial Park Rd.
 Tomball, TX 77375
 p. 281.401.8142 | 888.973.0079
 e. sales@inlineservices.com
 w. inlineservices.com